

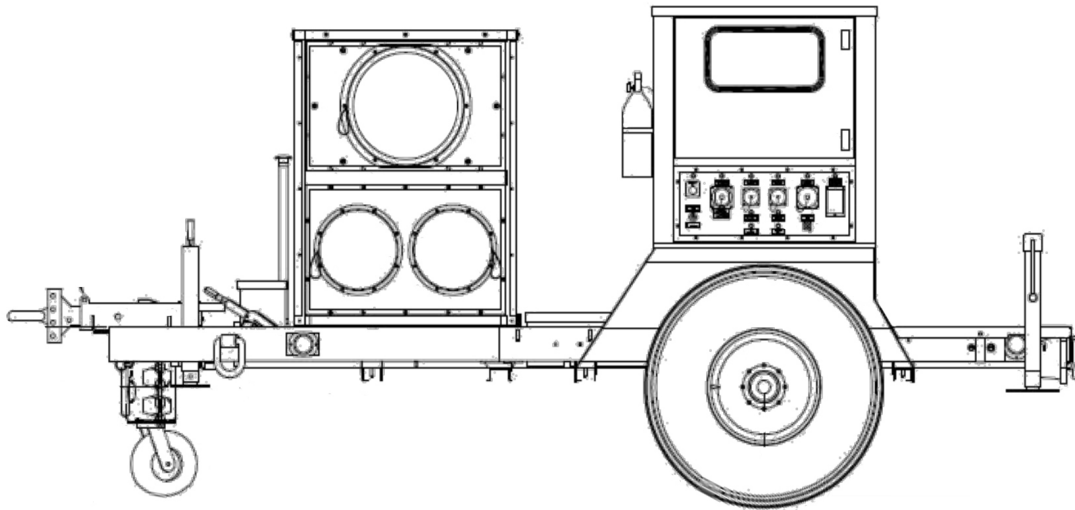
INSTRUCTIONS

Use this document to perform an audit of your HDT 35kW Generator with 8 Ton ECU to identify any missing, damaged or worn parts and to ensure that your system is fully mission capable. Damaged parts can be ordered through HDT's Aftermarket Program.

Do not complete this checklist without having viewed the technical manual for your unit. If your unit requires parts that are not covered in this level 1 document, contact your HDT Field Service Representative or call HDT Global at 800.969.8527.

Date Of Inspection: _____ Serial Number of Unit: _____

Build Date: _____ Hours of Use: _____ Initials of Inspector: _____



EXTERIOR EQUIPMENT – REMOVABLE ITEMS

Mfg Part #	NSN	Cage Code	Description	Qty	Present	Missing
3000646-001	4210-01-546-3308	92878	Extinguisher, ABC, 5 lb.	1		
2000040	5975-01-545-7403	92878	Ground rod kit, (three 3' segments with brass couplings)	1		

EXTERIOR EQUIPMENT – BUILT-IN TOOL BOX ITEMS

Mfg Part #	NSN	Cage Code	Description	Qty	Present	Missing
3001597-066	6145-01-533-2552	0WJE1	1' of 6awg ground wire (order qty of 25 to get 25')	1		
3000979-005	5940-01-533-4166	92878	Ring terminal to attach ground wire to trailer	1		
3000645-002	5120-01-434-9158	92878	Hammer to drive ground rods	1		
2001738	4720-01-533-7849	92878	Auxiliary fuel return hose, 8'	1		
2001737	4720-01-533-7685	92878	Auxiliary fuel supply hose, 8'	1		

HDT 35KW GENERATOR WITH 8 TON ECU

FMC Checklist



EXTERIOR EQUIPMENT – NON-REMOVABLE ITEMS

Mfg Part #	NSN	Cage Code	Description	Qty	Present	Missing
2001043	5340-01-534-6991	92878	Flip-up wheel, mounting hardware, template and label	1		

OPTIONAL ITEMS

Optional items are designed to be transported on the trailer, but they **should not** be stored on the trailer. Long-term exposure to the elements will cause these items to degrade. Remove these items from the trailer and store them with your shelter when not in use.

The amount of ducts vary according to the ECU configuration. Order the number of ducts that match the face plate of the ECU.

(1 or 2), 18-inch duct and storage bag (Order duct and collar to get complete duct assembly)

(1 or 2), 12-inch duct and storage bags (Order duct and collar to get complete duct assembly)

1 x 50 ft, 60 amp three-phase cable

1 x 60 amp distribution box, 3 GFI 120 vac / 20 amp outputs

Mfg Part #	NSN	Cage Code	Description	Qty	Present	Missing
3001393-002	1660-01-534-9018	92878	Air duct* 12" dia. x 25' enclosed screw clamp both ends, 383 Green	25		
3001395-002	N/A	92878	Air duct* 12" dia. x 25' enclosed screw clamp both ends, 383 Tan	1		
3001517-001	4730-01-546-1444	92878	Hose end collar, 12" dia., aluminum	1		
4000236	2590-01-535-3743	92878	Duct transport bag – 12" dia. x 25', black	1		
3001394-002	1660-01-534-9019	92878	Air duct* 18" dia. x 25' enclosed screw clamp both ends, 383 Green	1		
3001396-002	N/A	92878	Air Duct* 18" dia. x 25' enclosed screw clamp both ends, Tan	1		
3001517-002	4730-01-574-7812	92878	Hose end collar, 18" dia., aluminum	1		
4000237	2590-01-535-3741	92878	Duct transport bag – 18" dia. x 25', black	1		
62-3002130-001	8340-01-533-1729	7JYX1	Power cable, 50', 60 amp	1		
62-20002386	8340-01-533-1725	7JYX1	Power distribution box for shelter	1		

*The ducts are ordered in parts (duct, collar and bag). The collar will come in the same color as the duct that is ordered. If ordering a collar on its own, please specify the color needed. Only the green duct has an NSN issued at this time.

ENGINE BAY COMPONENTS

1 x Fuel Filter (Log as 'Missing'*)

1 x Oil Filter (Log as 'Missing'*)

1 x Air Filter (Log as 'Missing'*)

Mfg Part #	NSN	Cage Code	Description	Present	Missing
3000212-001	2910-01-359-4971	75755	Fuel filter, John Deere 3029t engine		
3000213-001	2940-00-007-4791	75755	Oil filter, John Deere 3029t engine		
3000191-001	2940-01-533-4836	92878	Air filter, John Deere 3029t engine		

HDT Expeditionary Systems, Inc.

30500 Aurora Road, Suite 100, Solon, OH 44139 USA

P 800.969.8527 / 216.HDT.6111

www.hdtglobal.com / sales@hdtglobal.com