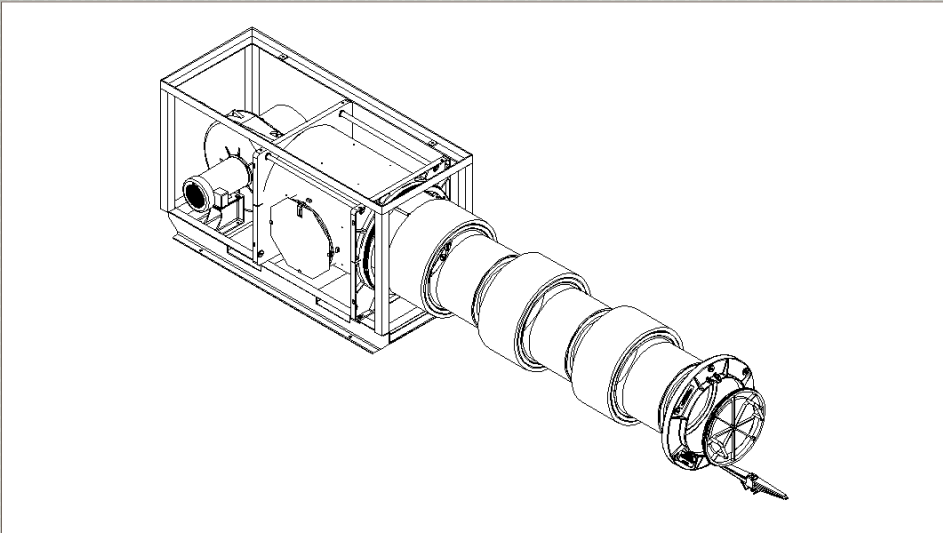
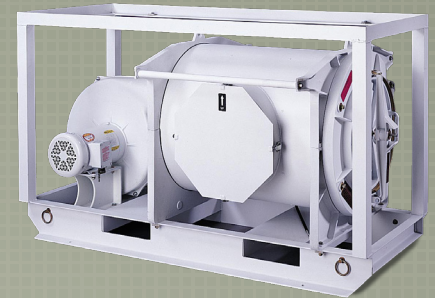


## REPLACEMENT PARTS FOR HDT FFA580 CBRN FILTRATION SYSTEM



### AFTERMARKET SUPPORT FOR:



FFA580

HDT Fully Mission Capable Packs are a convenient way to order common replacement parts for HDT Filter Unit, Gas and Particulate FFA580. Kits for routine maintenance or as standby replacement parts are available. You may order individual part numbers from any of the packs.

#### LEVEL I

The Level I parts pack includes common parts such as gaskets, filters and other items that would be required to return a unit to FMC status. This Level I Pack will support up to five systems anywhere in the world.

#### LEVEL II

The Level II pack includes higher level parts required for long-term support in the field or a starting point for bench stock.

#### REPLACEMENT FILTER PACK

A replacement set of filters for the FFA580-100.

PN: 5-19-6722-N

NSN: 4240-01-369-6533

Cage Code: 0WJE1.

Three sets are required.

# REPLACEMENT PARTS FOR HDT FFA580 CBRN FILTRATION SYSTEM



FFA580 FMC Pack, Level I PN H028761-032 (Green) or H028761-035 (White)		
Description	Part Number	Amount
Gas Access Cover Gasket (Large)	580-13-1	2
Inner Access Door Gasket	580-13-2	2
Inlet Filter	580-67	5
Outer Cover Screws	MS90727-66	12
Flat Washer	AN960JD616	12
Lock Washer	MS35338-46	12
Screw Hex HD Cap (for Retaining Bar)	580-41	5

FFA580 FMC Pack, Level II PN H028762-032 (Green) or H028762-035 (White)		
Description	Part Number	Amount
Outer Access Cover	580-32A	2
Inner Access Door	580-12	2
Retaining Bar Assembly	580-34A	2
Airflow Control Valve	IV40-603	2
Flexible Connector	580-83	2
Blower Motor and Shroud Assembly (Green)	580-60	2

Products, product specifications and data are subject to change without notice to improve reliability, function, and/or design. Please contact Customer Service at 800.969.8527 for the most up-to-date product information.