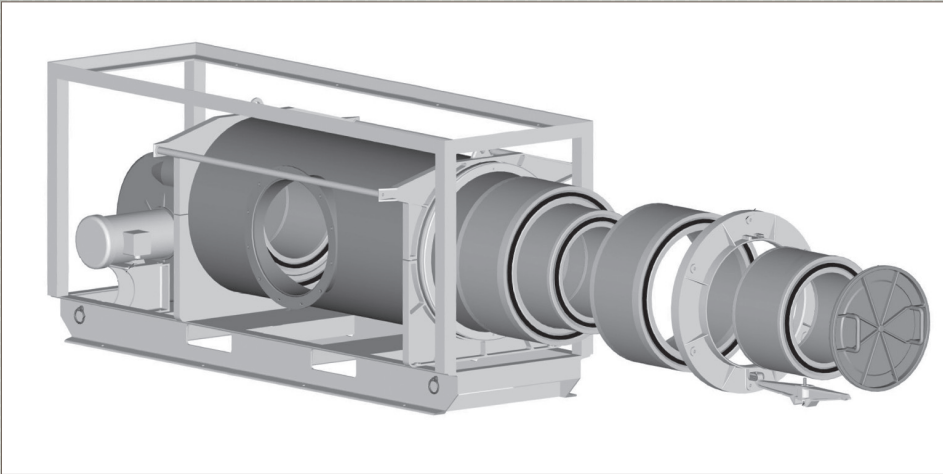


## REPLACEMENT PARTS FOR HDT FFA1000 CBRN FILTRATION SYSTEM



HDT Fully Mission Capable Packs are a convenient way to order common replacement parts for HDT Filter Unit, Gas and Particulate FFA1000. Kits for routine maintenance or as standby replacement parts are available. You may order individual part numbers from any of the packs.

### LEVEL I

The Level I parts pack includes common parts such as gaskets, filters and other items that would be required to return a unit to FMC status. This Level I Pack will support up to five systems anywhere in the world.

### LEVEL II

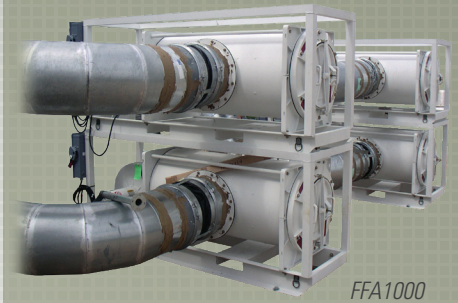
The Level II pack includes higher level parts required for long-term support in the field or a starting point for bench stock.

### REPLACEMENT FILTER PACK

A replacement set of filters for the FFA1000.

PN: 5-19-6722-N, NSN: 4240-01-369-6533 Cage Code: 0WJE1. Five sets are required.

### AFTERMARKET SUPPORT FOR:



# REPLACEMENT PARTS FOR HDT FFA1000 CBRN FILTRATION SYSTEM



FFA1000 FMC Pack, Level I PN H028763-032 (Green) or H028763-035 (White)		
Description	Part Number	Amount
Filter Extraction Tool	1000-114	1
Torque Wrench Assembly, Pre-Set to 180 in-lbs.	106394	1
Gas Access Cover Gasket (Large)	580-13-1	2
Inner Access Door Gasket	580-13-2	2
Inlet Filter	580-67	5
Outer Cover Screws	MS90727-66	12
Flat Washer	AN960JD616	12
Lock Washer	MS35338-46	12
Screw Hex HD Cap (for retaining arm)	580-41	5

FFA1000 FMC Pack, Level II Pack Level II PN H028764-032 (Green) or H028764-035 (White)		
Description	Part Number	Amount
Outer Access Cover	580-32A	2
Inner Access Door	580-12	2
Retaining Bar Assembly	580-34A	2
3.75 H.P. Motor	1000-62	2
Airflow Control Valve	IV40-603	2
Flexible Connector	580-83	2

Products, product specifications and data are subject to change without notice to improve reliability, function, and/or design. Please contact Customer Service at 800.969.8527 for the most up-to-date product information.