

M18A1

10-CFM Gas Filter



The M18A1 is a radial flow filter canister that removes toxic chemical agents in vapor or gaseous forms. Used in conjunction with the M19 HEPA (Particulate) filter and M1A1-19 blower system (M13A1), this filter canister is an ideal choice for collective protection and individual distribution needs.

The M18A1 is self-enclosed so filter replacement involves minimal exposure. The filter utilizes ASZM-TEDA, 12 x 30 activated carbon to remove gaseous toxic agents from the air and can be found in the Abrams main battle tank (M1A1, M1A2), the Light Armored Vehicle (LAV) and many other tracked and wheeled military vehicles.

At HDT, we manufacture chemical biological filters in tightly controlled production lots for quality assurance. Each production lot of filters is sample tested with live agents to ensure filter carbon reliability.

KEY FEATURES

- ASZM-TEDA 12 x 30 Carbon media
- Durable steel housing
- Compact lightweight design
- Laboratory tested and field proven
- Used with M1A1-19 pre-cleaner
- Can support two to three people
- **Exceeds AEP-54 (Edition 2, October 2014) requirements**

M18A1

10-CFM Gas Filter



Ordering information

HDT part number	5-19-2300
NSN	4240-01-365-0982
On GSA Contract	

Rated Air Flow	10 cfm	17 m ³ /h
-----------------------	--------	----------------------

Air Flow Resistance	1.7 in. H ₂ O	423 Pa
----------------------------	--------------------------	--------

Dimensions

Body Length	9.5 in.	24 cm
Overall Length	11.15 in.	28.32 cm
Body Diameter	5 in.	12.7 cm
Inlet Diameter	1.13 in.	28.7 mm
Outlet Diameter	1.125 in.	28.58 mm

Weight	3.75 lbs.	1.70 Kg
---------------	-----------	---------

Housing Material	Steel
-------------------------	-------

Carbon Media	ASZM-TEDA 12x30 per MIL-DTL-23101
---------------------	-----------------------------------

Carbon Density, Max	0.65 g/ml*
----------------------------	------------

DMMP / CT Value	300,000 mg x min / m ³
------------------------	-----------------------------------

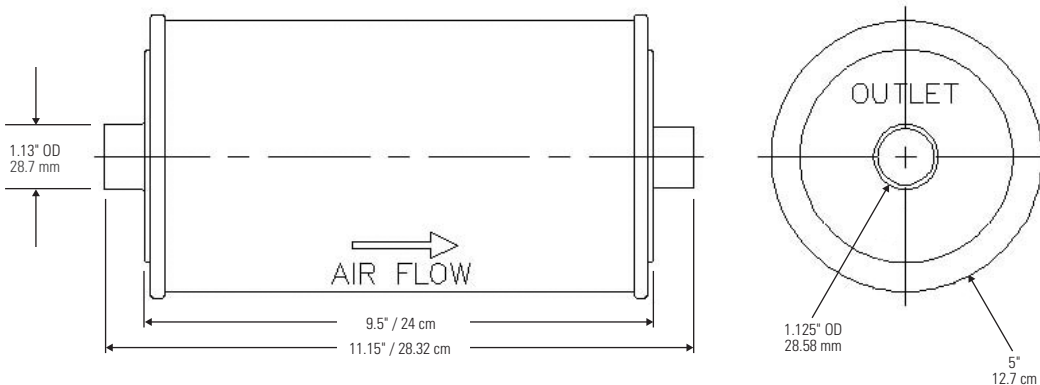
CK/CT Value	120,000 mg x min / m ³
--------------------	-----------------------------------

Specifications	MIL-PRF-51193
-----------------------	---------------

AEP-54 (Edition 2, October 2014)

* Weight may vary slightly due to carbon density and certain other factors.

Products, product specifications and data are subject to change without notice to improve reliability, function, and/or design. Please contact Customer Service at 800.969.8527 for the most up-to-date product information.



HDT Expeditionary Systems, Inc.

30500 Aurora Road, Suite 100
Solon, OH 44139 USA
P 800.969.8527 / 216.HDT.6111
sales@hdtglobal.com

Revision 2 02-20 01-07-01-0430