

M20 PROTECTIVE ENTRANCE



HDT's M20 Protective Entrance is a transition enclosure and protected entryway. It is used as an air lock to protect the shelter interior and also provides a clean air "shower" to help decontaminate personnel entering shelters. Personnel pause for a specified period of time before entering a shelter to allow the purging of airborne contaminants introduced by opening the outer door.

The M20 prevents direct vapor transport into the enclosure and ensures that internal pressure is maintained continuously in the enclosure while entries and exits occur. The air lock is purged by the flow of clean air from the main protected enclosure, through the air lock and out a discharge vent on the outer air lock door.

Personnel entry and exit is an important consideration for military collective protection shelters. Consideration needs to be given to both hardware (ventilated air locks) and procedures for transitioning from individual protection to collective protection.

HDT's M20 Protective Entrance can provide the benefit of helping to maintain pressures within a protected area to ensure continuous protection during routine operations

KEY FEATURES

- Lighting and controls are powered by the shelter
- Airflow is from the shelter filtration system
- The air lock occupies no internal space and is self-supported when erected
- Normal shelter door usage is unaffected

M20 PROTECTIVE ENTRANCE



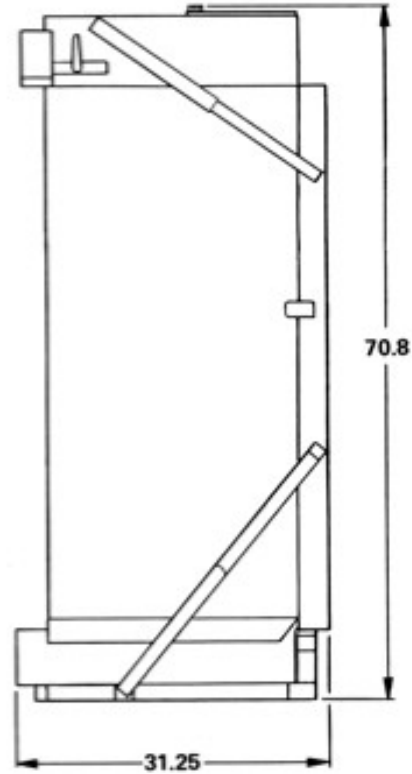
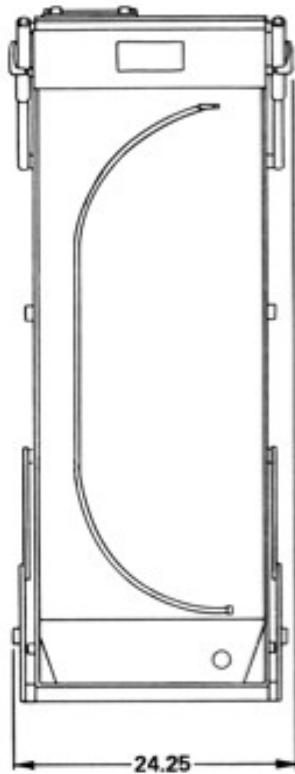
Ordering information

HDT part number	5-19-9417
NSN	4240-01-283-0194
On GSA Contract	

Physical Characteristics

L x W x H (open)	31.25" x 24.25" x 70.8" 79.4 x 61.6 x 179.8 cm
L x W x H (closed)	10.6" x 24.25" x 57.75" 26.9 x 61.6 x 146.7 cm
Weight	105 lbs. 47.6 kg

Products, product specifications and data are subject to change without notice to improve reliability, function, and/or design. Please contact Customer Service at 800.969.8527 for the most up-to-date product information.



HDT Expeditionary Systems, Inc.
30500 Aurora Road, Suite 100
Solon, OH 44139 USA
P 800.969.8527 / 540.887.4700
sales@hdtglobal.com

"This item and the technical data and defense services directly related to this item are subject to the International Traffic in Arms Regulations (ITAR), 22 CFR 120-130 and may not be exported to any foreign destination or any foreign entity or foreign national, inside or outside the United States, without prior approval by the U.S. Department of State.