

# HW30 VEHICLE HEATER

30,000 BTU/H Vehicle Heater

**HDT**<sup>®</sup>  
GLOBAL



The HDT HW30 vehicle heater is the perfect choice when looking for a rugged, military grade product. Users of the HW30 are used to exceptional product reliability, not the poor performance and headaches often associated with commercial-grade vehicle heaters. The HW30 vehicle heater has an exceptional product lifecycle and is easy to maintain in extreme conditions. Severe duty environments, as often found in expeditionary, exploration, and mining operations is where the HW30 vehicle heater has proven itself as the industry's most reliable vehicle heater.

The HW30 vehicle heater may be installed in a vehicle cab, in a vehicle body or in other applications where a hot water source is available. It provides 30,000 BTU's (8.79kW) of safe, reliable heat and operates on 12 or 28 volt DC power. Additionally, the HW30 is EMI suppressed to military standards for safe use in many vehicles.

Designed to provide heat for a wide variety of applications, the HW30 series heaters are available in various core tube configurations and the air output location can be configured to meet application-specific needs. The HW30 vehicle heaters have been in service for many years with thousands of units installed in a variety of heavy duty vehicles. With years of in-service use, coupled with easy maintenance, the HW30 vehicle heater offers consistent and dependable in-cab heat.

Contact HDT for more information about the HW30 vehicle heater at 800-969-8527 or visit our website at [www.hdtglobal.com](http://www.hdtglobal.com).

## KEY FEATURES

- 30,000 BTU/H (78.79 kW)
- 12 or 28 volt operation
- EMI suppressed
- All steel case construction
- Field-proven

# HW30 VEHICLE HEATER

30,000 BTU/H Vehicle Heater



## HW30 SPECIFICATIONS

### Ordering information

HDT part number	30999 or 30330
NSN	2540-00-020-8591
GSA	

<b>Heat output</b>	30,000 BTU/H	8.79 kW
--------------------	--------------	---------

<b>Air flow</b>	300 CFM	2209 m <sup>3</sup> /h
-----------------	---------	------------------------

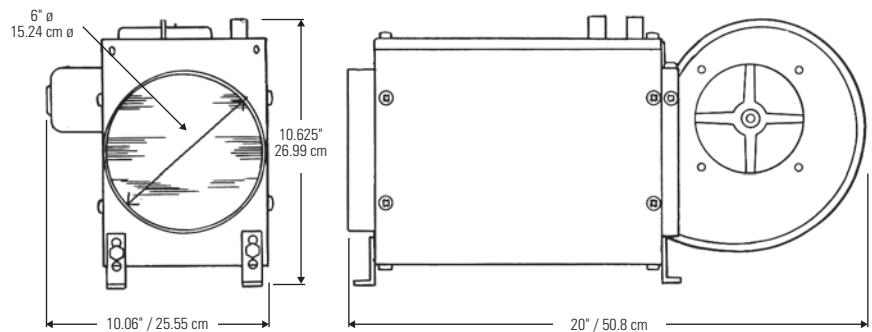
### Power

Power requirements	28 vdc, 7 Amps. 12 vdc, 3.5 Amps.
--------------------	--------------------------------------

### Physical characteristics

(L x W x H)	20" x 10.06" x 10.625"	50.8 x 25.55 x 26.99 cm
Weight	20 lbs	9.07 kg

<b>Accessories</b>	Duct adapter, core tube configurations, hose, duct and winter front kits
--------------------	--



### HDT Global

30500 Aurora Road Suite 100  
Solon, OH 44139 USA  
P 800.969.8527 / 540.887.4700  
sales@hdtglobal.com

THIS COMMODITY, TECHNOLOGY OR SOFTWARE IS SUBJECT TO THE EXPORT ADMINISTRATION REGULATIONS (EAR), 15 CFR 730-774, OF THE UNITED STATES OF AMERICA.

Revision 2 05-13 01-04-01-0120