

H45 SPACE HEATER

45,000 BTU/H Non-powered Space Heater

HDT
GLOBAL



The HDT H45 heater provides heat for military tents such as the general purpose and temper tents and has been a standard for many years. This heater unit utilizes a fuel vaporizing technology proven to provide safe, reliable heat and the exhaust stack (included) safely vents all exhaust products to the outside of the shelter. The H45 space heater is a 45K BTU heater, operates without the use of electrical power and can burn many types of liquid fuel including DF2, DF1, DFA, JP5, JP8.

The H45 utilizes vaporizing R-tube burner technology which overcomes the major combustion and safety problems that have existed over the past 50 years in the non-powered military heater industry, including poor, smoky diesel fuel combustion and the unsafe exposure of pooled raw fuel during operation. The vaporizing R-tube burner technology eliminates these hazards, yet the system features simplicity and ruggedness at a lower cost.

A non-powered, free standing, liquid multi-fuel, space heater, designed to heat the military GP small, and large tents.

KEY FEATURES

- Operates and starts at temperatures down to -60°F (-51.1°C)
- Non-powered vented heat
- Multi-fuel, high efficiency burner
- Lightweight, man portable
- Field proven
- Internal component storage
- Qualified to military specifications
- Adjustable fuel input for temperature control

H45 SPACE HEATER

45,000 BTU/H Non-powered Space Heater



H45 SPACE HEATER SPECIFICATIONS

Ordering information

HDT Part Number	45000
NSN	4520-01-329-3451
GSA	

Rating 45,000 BTU/hr 13.2 kW

Rated air flow N/A

Fuel

Fuel requirements	DF1, DF2, DFA, JP5, JP8
Fuel usage	0.40 gallons per hour 1.5 liters per hour

Power

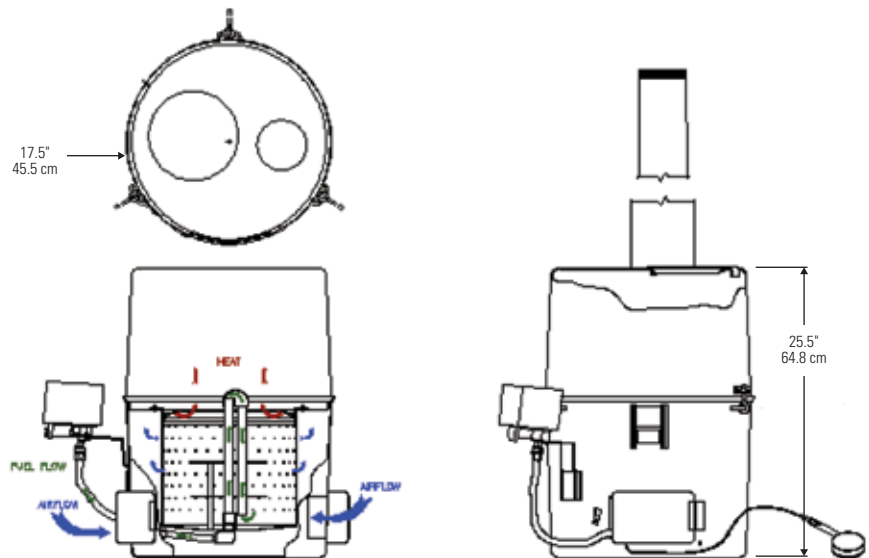
Power requirements Non-powered heater

Physical characteristics

Height	25.5"	64.8 cm
Diameter	17.5"	45.5 cm
Weight	70 lbs	31.8 kg

Accessories

Included	Reaming tool, exhaust stack, fuel can stand, collapsible, fuel control valve, stack cap, gravity feed kit, lid, burner assembly, hose overflow, hose supply, tech manual
Available	Solid fuel kit, solid fuel model, thermal electric fan



HDT Global

30500 Aurora Road Suite 100
Solon, OH 44139 USA
P 800.969.8527 / 540.887.4700
sales@hdtglobal.com

Revision 2 01-14 01-04-01-0118