

# HDT BASE-X® MODEL 103 SHELTER

A Multi-Function Small Shelter



The HDT Base-X Expedition Shelter system patented folding frame is recognized world-wide as the most advanced, lightweight, rapid-deploying tactical soft-walled shelter system on the market today. The unique patented folding frame design gives the system its superior strength and its rapid set-up and strike capabilities. This performance is achieved while keeping the system to a minimum weight and size when packed, making it more mobile and easier to embark. Missions that require speed and agility have relied on HDT's modular shelter systems design allowing for modular complexing to segment various activities. Our modular shelter systems allow rapid response to changing threats. HDT Base-X Shelters are user-friendly. The advanced frame guarantees quick setup and superior strength.

The Model 103 is a small shelter ideal for use as entry vestibule or hallway in larger Base-X complexes. With a clear span of 9' 6" (2.9 m), the Model 105 could house approximately 6 – 8 personnel. While the 100 series can be used as a standard tent, for billeting needs HDT recommends a Model 203 shelter.

## KEY FEATURES

- Perfect shelter for Entry Control Point
- Lightweight, low-cube, man-portable
- Pre-installed floor, electrical wiring and HVAC plenum
- Configurations for US or foreign voltage
- Meets or exceeds all US Military requirements
- No ancillary equipment required for setup or strike
  - Sets up in less than 5 minutes with 2 personnel



# HDT BASE-X<sup>®</sup> MODEL 103 SHELTER

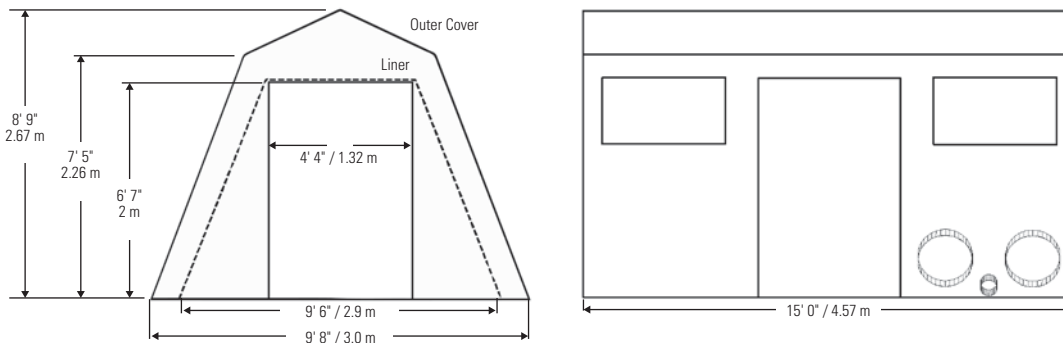
A Multi-Function Small Shelter



## HDT BASE-X MODEL 103 SHELTER SPECIFICATIONS

Ordering information	Olive Drab	Tan	Grey	White	Blue
HDT Part Number	601030D	60103TN	60103GY	60103WH	60103BL
NSN	8340-01-533-1682	8340-01-533-1681	N/A	N/A	N/A
GSA	X	X	X	X	X
On DSCP Contract	X	X			
<b>Interior Dimensions</b>					
Floor Space	9.5' x 15'	2.9 x 4.57 m			
Area	142.5 ft <sup>2</sup>	13.3 m <sup>2</sup>			
<b>Packed Dimensions</b>					
Package 1*	63" x 26" x 19"	160 x 66 x 48 cm			
Package 2**	63" x 20" x 14"	160 x 51 x 36 cm			
<b>Weight</b>					
Package 1*	166 lbs	75 kg			
Package 2**	106 lbs	48 kg			
Total	272 lbs	123 kg			
<b>Set-Up</b>					
Time	5 minutes				
Personnel	2 each				

Base-X Shelters: \* Includes outer cover, frame, carry bag; \*\* Includes carry bag, liner with pre-installed floor, electrical wiring, HVAC plenum, repair kit, and stake kit



### HDT Global

30500 Aurora Road Suite 100  
 Solon, OH 44139 USA  
 P 800.969.8527 / 540.887.4700  
 sales@hdtglobal.com