

HW125 VEHICLE HEATER

12,500 BTU/H Vehicle Heater

HDT
GLOBAL



The HW125 vehicle heater provides safe, reliable heat and may be installed in a vehicle cab, in a vehicle body or in other applications where a hot water source is available. Providing 12,500 BTUs (3.66 kW), the HW125 heater operates on 12 volt DC power and is EMI suppressed to military standards for safe use in many vehicles. It is also designed to provide heat for a wide variety of applications. This heater is available in various core tube configurations and the blower position can be configured to meet various application specific requirements. Simple to maintain and dependable, the HW125 heaters have been in service for many years, and are proven to be the most dependable in-cab heater available.

The HW125 heater provides cab and windshield defrost capabilities in a wide variety of applications. This model's rugged design allows it to be used in applications on trucks, cargo bodies and construction equipment.

Please contact HDT for more information about the HW125 or ask how HDT can provide a tailored solution for unique mission requirements.

KEY FEATURES

- 12,500 BTU/H (3.66 kW)
- 12 volt operation
- EMI suppressed
- All steel case construction
- Field-proven

HW125 VEHICLE HEATER

12,500 BTU/H Vehicle Heater

HDT
GLOBAL[®]

HW125 SPECIFICATIONS

Ordering information

HDT part number 170240
NSN
GSA

Heat output 12,500 BTU/H 3.66 kW

Air flow 80 CFM 135.9 m³/h

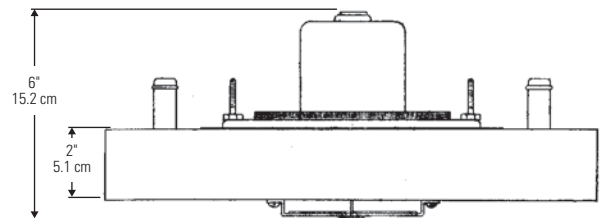
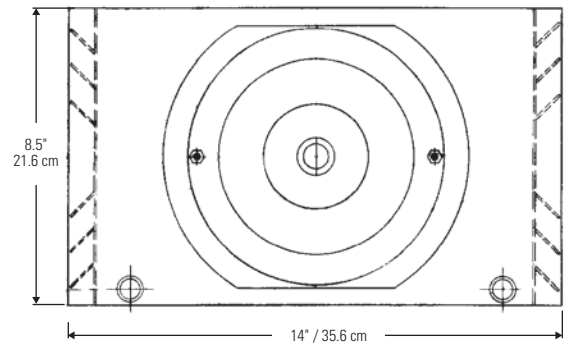
Power

Power requirements 12 vdc, 4 Amps.

Physical characteristics

L x W x H 14" x 8.5" x 6" 35.6 x 21.6 x 15.2 cm

Weight 10 lbs 4.5 kg



HDT Global

30500 Aurora Road Suite 100
Solon, OH 44139 USA
P 800.969.8527 / 540.887.4700
sales@hdtglobal.com

THIS COMMODITY, TECHNOLOGY OR SOFTWARE IS SUBJECT TO THE EXPORT ADMINISTRATION REGULATIONS (EAR), 15 CFR 730-774, OF THE UNITED STATES OF AMERICA.

Revision 2 11-13 01-04-01-0298