

HDT BASE-X® MODEL 6D31 SHELTER

Large Dome Shelter

HDT
GLOBAL



The HDT Base-X Model 6D31 is a large dome shaped shelter with a clear span of 31 ft. (9.45 m) and with six doors. This shelter is ideal for Division and Corps Level Command and Control (C2), Tactical Operations Center (TOC), and Maintenance.

Base-X Shelters implement a patented folding frame design and a dual-layer system that makes deployment quick and simple. This dual layer system provides an inherent insulation and an energy efficiency advantage through the thermal barrier created by the enclosed air gap between the outer cover and the inner liner.

This shelter can be set up and taken down without the use of tools, ladders, or mechanical assistance, and the system is contained in two durable bags easily hand-carried. Package one contains a PVC-coated outer cover attached to the articulating frame, and package two contains the inner liner. The liner includes an integrated floor, electrical wiring harness and air plenum. The system includes the stake kit, wind line kit, mallet and repair kit which fit conveniently into package two.

KEY FEATURES

- Clear interior span of 31 ft. (9.45 m)
- Six entry and egress points
- Electrical outlet every 5 ft. (1.5 m)
- Each interior hang point located at 5 ft. (1.5m) intervals support 100 lbs (45.36 kg) each
- Integral liner with floor and HVAC plenum
- Lightweight, low-cube, man-portable
- Pre-installed floor, electrical wiring and HVAC plenum
- Configurations for US or foreign voltage
- Meets or exceeds all US Military requirements
- No ancillary equipment required for setup or strike
 - Set up in less than 20 minutes with 6 personnel



HDT BASE-X[®] MODEL 6D31 SHELTER

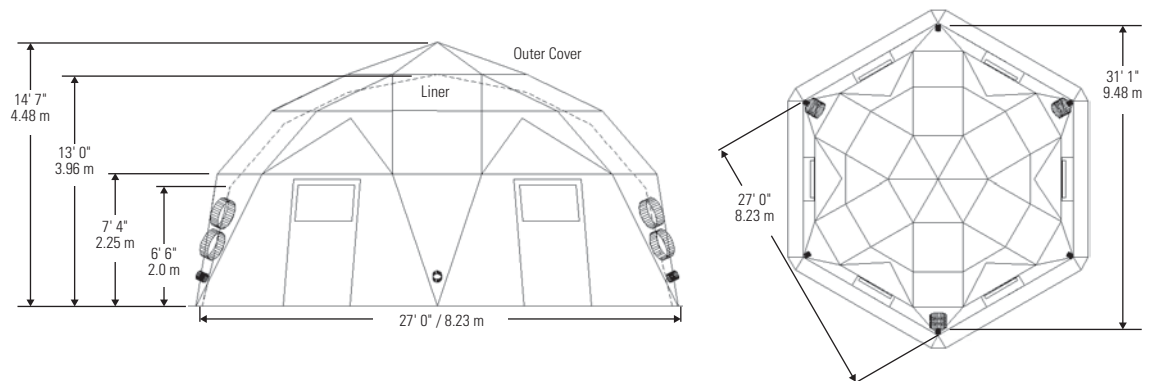
Large Dome Shelter



HDT BASE-X MODE 6D31 SHELTER SPECIFICATIONS

Ordering information	Olive Drab	Tan	Grey
HDT part number	606D310D	606D31TN	606D31GY
National Stock Number	8340-01-533-1688	8340-01-533-1689	N/A
On GSA Contract	X	X	X
Interior Dimensions			
Floor Space	27' x 31'	8.23 x 9.45 m	
Area	615 ft ²	57.1 m ²	
Packed Dimensions			
Package 1*	63" x 41" x 30"	160 x 104 x 76 cm	
Package 2**	63" x 29" x 25"	160 x 74 x 64 cm	
Weight			
Package 1*	429 lbs	195 kg	
Package 2**	255 lbs	116 kg	
Total	684 lbs	310 kg	
Set-Up			
Time	20 minutes		
Personnel	6 each		

Base-X Shelters: * Includes outer cover, frame, carry bag; ** Includes carry bag, liner with pre-installed floor, electrical wiring, HVAC plenum, repair kit, and stake kit



HDT Global
 30500 Aurora Road Suite 100
 Solon, OH 44139 USA
 P 800.969.8527 / 540.887.4700
 sales@hdtglobal.com

THIS COMMODITY, TECHNOLOGY OR SOFTWARE IS SUBJECT TO THE EXPORT ADMINISTRATION REGULATIONS (EAR), 15 CFR 730-774, OF THE UNITED STATES OF AMERICA.

Revision 2 12-13 01-01-01-0001